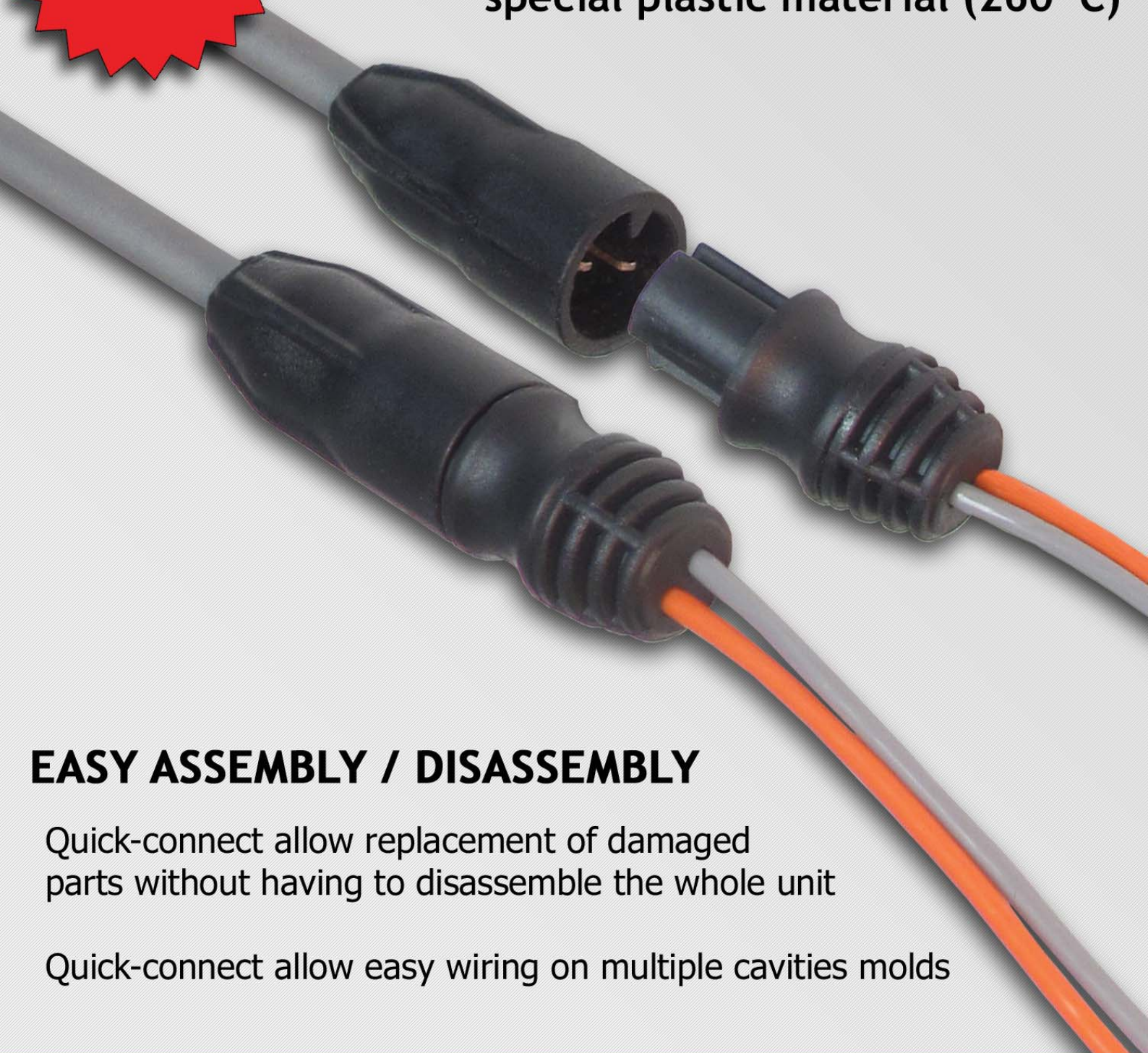


# QUICK-CONNECT

Rollmax with NEW connect system

**NEW**

**HIGH TEMPERATURE 2 PINS CONNECTOR**  
special plastic material (260 °C)



## **EASY ASSEMBLY / DISASSEMBLY**

Quick-connect allow replacement of damaged parts without having to disassemble the whole unit

Quick-connect allow easy wiring on multiple cavities molds

**ROTFIL**

The Heating Elements

## Compact design connector in high temperature resistant plastic material (260°C)

### High retention force

Quick-connect resist to a pull force of min. 8Kg also at 260°C

### High amperage

Quick-connect is designed to allow up to 7Amp/250VAC current also at 260°C

### Protection grade

Quick-connect is designed for IP63 protection grade

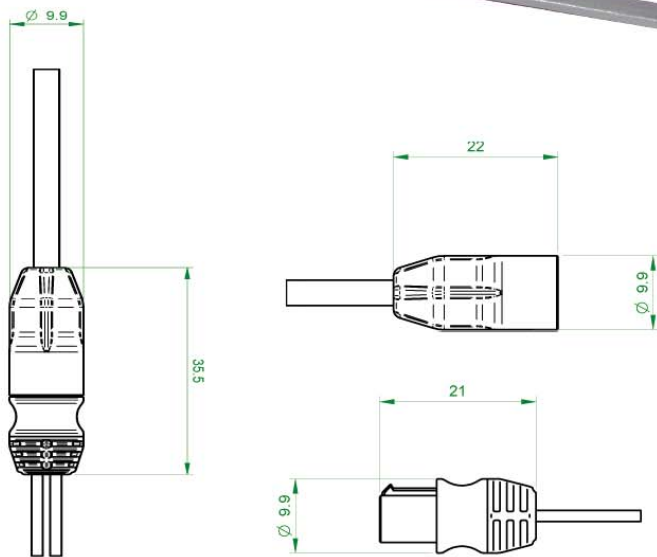
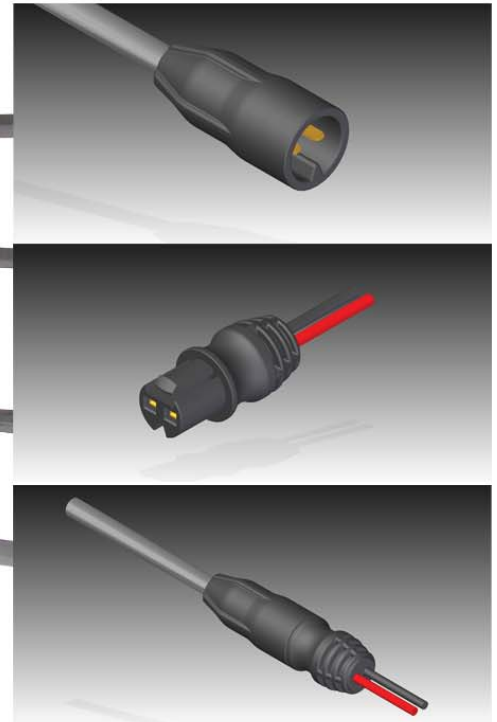
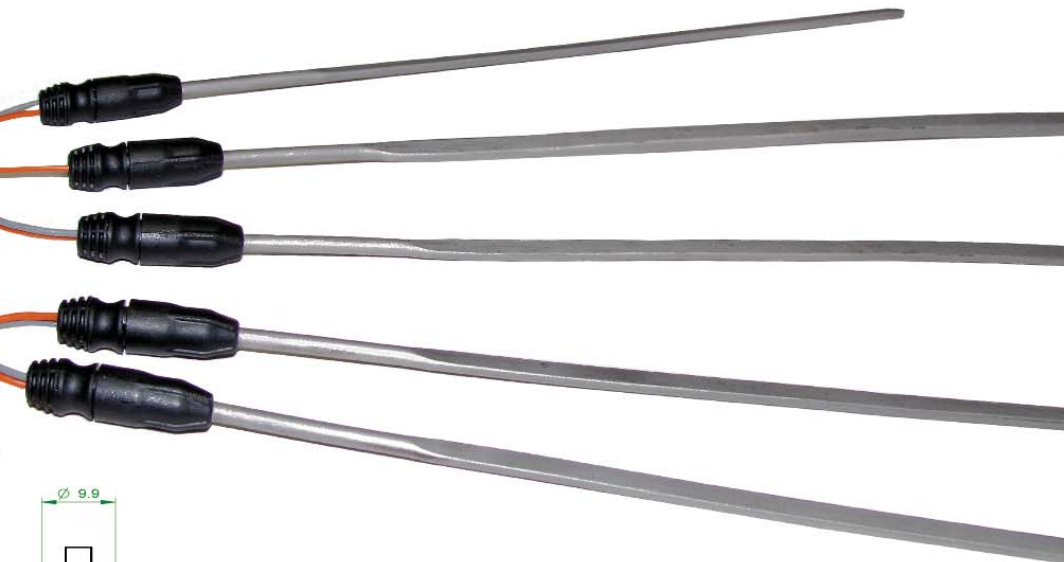
### High insulation values

Quick-connect withstand to test voltage of 1500V applied for 1 second also at 260°C

### Apply to all type of Rollmax

Quick-connect can be used for following Rollmax cross sections:

3,3mm x 3,3mm	2,2mm x 4,2mm	1,8mm x 3,2mm
3,3mm round	3,7mm round	



**Quick-connect junction have  
d 10mm x L 36mm total  
encumbrance once closed**