

PIROMAX

Sealed-Band Nozzle Heaters



Features

PIROMAX nozzle heaters are a top-quality product, result of our unique high-technology. They are completely resistant against external agents such as melted plastics.

PIROMAX are a rugged product that resists very well to wearing and shocks. Their high watt-density per square centimeter allows a fast and safe reaching of the required working temperature.

During manufacturing, the heaters are submitted to extremely high pressure that ensures high insulation, excellent thermal exchange, lack of internal voids, perfectly smooth contact area for an optimum and uniform heat transfer to every part of the nozzle.

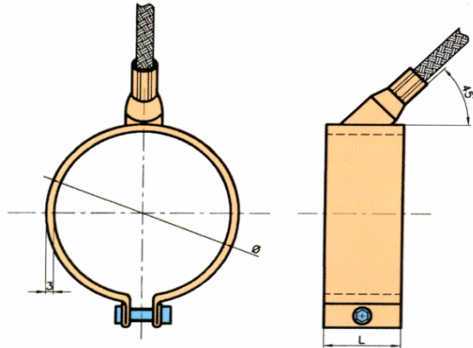
The inner profile is perfectly round, providing a perfect coupling with the nozzle. Size of the connecting cap is minimal, giving extremely limited overall dimensions.

Power connection is performed by a metal braided cable, standard length 1 m, with two nickel power leads plus a galvanized-copper ground lead.

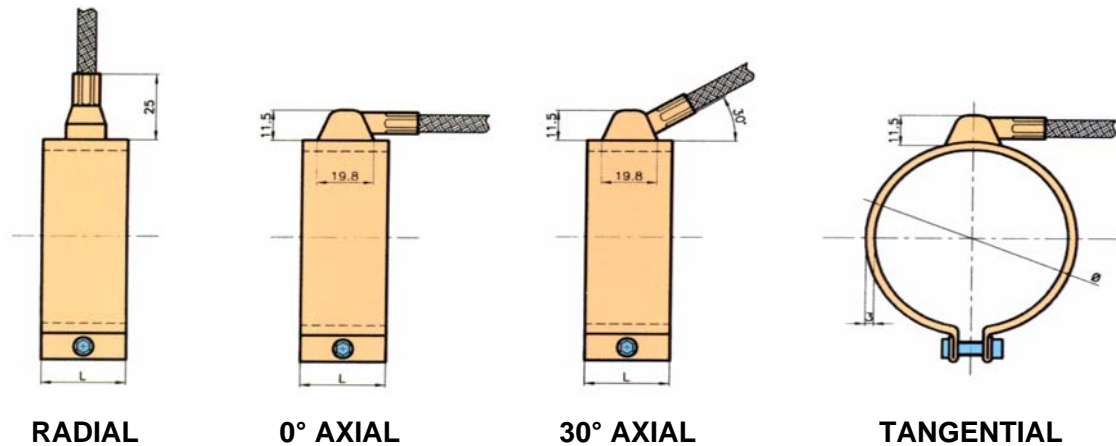
Technical data

- Brass tubular sheath (also available in stainless steel, for corrosive materials such as PVC).
- Standard power density: brass 4.5 W/cm², stainless steel 7 W/cm².
- Tear-resistant connection of power cable.
- Dielectric strength: 1500 V.
- Perfect roundness.
- Extremely small connecting cap.

Connection Options



45° AXIAL
Standard connection (stock models)



RADIAL

0° AXIAL

30° AXIAL

TANGENTIAL

Fitting Instructions

- A 4-mm exagonal wrench shall be used.
- There shall be no gap between nozzle and heater (loose-fitting heaters shall not be installed).
- After initial heating-up, clamping screws should be re-tightened .
- Repeated bending of the cable near its junction into the heaters should be avoided.
- Plastic material on the heater's surface must be removed by raising the temperature of the material. Avoid hammering or tearing to clean off attached plastics.

Important

- All PIROMAX heaters can be supplied with a built-in J-type thermocouple.
- PIROMAX heaters are supplied in packets of five units each.

PIROMAX Brass Heaters

For stainless-steel models, please see next page.

Standard models are 230 V, with 45° axial connection and 1m-long metal-braided cable, inclusive of ground conductor.

Diam. (mm)	Length (mm)	WATT	Product No.	Norm. in stock
25	20	80	PRMX000025	Yes
	25	85	PRMX000026	Yes
	30	100	PRMX000003	Yes
	35	125	PRMX000487	Yes
30	20	100	PRMX000028	Yes
	25	105	PRMX000004	Yes
	30	125	PRMX000029	Yes
	30	160	PRMX000001	Yes
	35	145	PRMX000030	Yes
	40	165	PRMX000124	Yes
32	50	235	PRMX000032	Yes
	38	195	PRMX000400	Yes
35	20	110	PRMX000091	-
	25	120	PRMX000005	Yes
	30	145	PRMX000023	Yes
	35	170	PRMX000015	Yes
	40	195	PRMX000035	Yes
	45	220	PRMX000036	Yes
38	60	325	PRMX000037	Yes
	20	110	PRMX000498	-
	25	140	PRMX000007	Yes
	30	165	PRMX000038	Yes
	35	200	PRMX000499	-
	38	215	PRMX000358	Yes
	40	175	PRMX000039	Yes
40	40	220	PRMX000096	-
	45	250	PRMX000040	-
	50	300	PRMX000041	Yes
	20	110	PRMX000500	-
	25	140	PRMX000006	Yes
	30	165	PRMX000043	Yes
	35	195	PRMX000044	Yes
	40	225	PRMX000024	Yes
42	45	250	PRMX000045	Yes
	50	345	PRMX000099	Yes
	60	415	PRMX000189	Yes
	20	120	PRMX000501	-
	25	145	PRMX000009	-
45	30	175	PRMX000046	Yes
	35	205	PRMX000047	-
	40	235	PRMX000048	Yes
	20	130	PRMX000502	-
	25	155	PRMX000008	Yes
	30	190	PRMX000049	Yes
	35	220	PRMX000050	Yes
	40	250	PRMX000051	Yes
48	45	285	PRMX000052	Yes
	50	315	PRMX000053	Yes
	55	345	PRMX000054	Yes
	20	135	PRMX000055	-
	30	200	PRMX000503	-
50	50	380	PRMX000213	Yes
	20	140	PRMX000056	-
	25	175	PRMX000057	Yes
	30	210	PRMX000010	Yes
	35	245	PRMX000059	Yes
	40	280	PRMX000022	Yes
	50	350	PRMX000060	Yes
55	60	420	PRMX000061	Yes
	20	155	PRMX000062	-
	25	190	PRMX000063	-
	30	230	PRMX000011	Yes
	35	270	PRMX000064	-
	40	310	PRMX000065	Yes
50	50	385	PRMX000066	Yes

Diam. (mm)	Length (mm)	WATT	Product No.	Norm. in stock
60	20	165	PRMX000067	-
	25	210	PRMX000068	-
	30	250	PRMX000012	Yes
	35	295	PRMX000069	Yes
	40	335	PRMX000070	Yes
	50	420	PRMX000071	Yes
65	60	505	PRMX000072	Yes
	20	180	PRMX000105	-
	25	225	PRMX000504	-
	30	275	PRMX000505	-
	35	320	PRMX000506	-
	40	365	PRMX000013	Yes
70	50	455	PRMX000507	-
	60	550	PRMX000508	-
	20	195	PRMX000074	-
	25	245	PRMX000075	-
	30	295	PRMX000140	-
	35	345	PRMX000076	-
75	40	395	PRMX000077	Yes
	50	490	PRMX000107	Yes
	60	590	PRMX000078	-
	20	210	PRMX000509	-
	25	260	PRMX000510	-
	30	315	PRMX000143	-
80	35	370	PRMX000511	-
	40	420	PRMX000108	-
	50	525	PRMX000144	-
	60	635	PRMX000079	-
	20	225	PRMX000512	-
	25	280	PRMX000080	-
	30	335	PRMX000396	-
	35	395	PRMX000146	-
85	40	450	PRMX000081	-
	50	565	PRMX000149	-
	60	675	PRMX000082	-
	20	240	PRMX000513	-
	25	300	PRMX000514	-
	30	360	PRMX000515	-
	35	420	PRMX000516	-
	40	480	PRMX000517	-
90	50	600	PRMX000518	-
	60	720	PRMX000519	-
	20	250	PRMX000520	-
	25	315	PRMX000083	-
	30	380	PRMX000109	-
	35	445	PRMX000150	-
	40	505	PRMX000085	-
	50	635	PRMX000087	-
95	60	760	PRMX000521	-
	20	265	PRMX000522	-
	25	335	PRMX000523	-
	30	400	PRMX000524	-
	35	465	PRMX000525	-
	40	535	PRMX000526	-
	50	670	PRMX000263	-
	60	800	PRMX000527	-
100	20	280	PRMX000528	-
	25	350	PRMX000529	-
	30	420	PRMX000530	-
	35	490	PRMX000531	-
	40	560	PRMX000532	-
	50	700	PRMX000533	-
100	60	840	PRMX000534	-

PIROMAX Stainless-Steel Heaters

For brass models, please see the previous page.

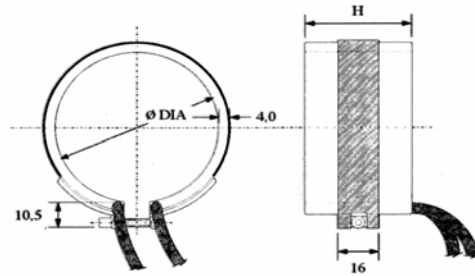
Standard models are with 45° axial connection and 1m-long metal-braided cable, inclusive of ground conductor.

Diam. (mm)	Length (mm)	WATT	VOLT	Product No.
25	20	80	230	PRMX1559
	25	100	230	PRMX1560
	30	120	230	PRMX1561
30	20	100	230	PRMX1562
	25	120	230	PRMX1563
	30	150	230	PRMX1564
	35	170	230	PRMX1565
35	38	180	230	PRMX1566
	20	110	230	PRMX1567
	25	140	230	PRMX1568
35	30	170	230	PRMX1569
	35	200	230	PRMX1570
	38	210	230	PRMX1571
	45	250	230	PRMX1572
38	20	120	230	PRMX1573
	25	150	230	PRMX1574
	30	180	230	PRMX1575
	35	220	230	PRMX1576
	38	230	230	PRMX1577
	45	270	230	PRMX1578
40	25	160	230	PRMX1579
	30	200	230	PRMX1580
	35	220	230	PRMX1581
	38	250	230	PRMX1582
	45	300	230	PRMX1583
45	20	150	230	PRMX1584
	25	180	230	PRMX1585
	30	220	230	PRMX1586
	35	250	230	PRMX1587
	38	300	230	PRMX1588
	45	350	230	PRMX1589
	50	360	230	PRMX1590
48	20	140	230	PRMX1591
	30	230	230	PRMX1592
	38	300	230	PRMX1593
	50	400	230	PRMX1594
50	20	160	230	PRMX1595
	25	200	230	PRMX1596
	30	250	230	PRMX1597
	35	280	230	PRMX1598
	38	300	230	PRMX1599
55	50	400	230	PRMX1600
	20	210	230	PRMX1601
	25	220	230	PRMX1602
	30	260	230	PRMX1603
	35	300	230	PRMX1604
	38	350	230	PRMX1605
50	450	230	PRMX1606	

Diam. (mm)	Length (mm)	WATT	VOLT	Product No.
60	20	200	230	PRMX1607
	25	250	230	PRMX1608
	30	300	230	PRMX1609
	35	350	230	PRMX1610
	38	400	230	PRMX1611
	50	500	230	PRMX1612
65	20	200	230	PRMX1613
	25	250	230	PRMX1614
	30	320	230	PRMX1615
	35	370	230	PRMX1616
	38	400	230	PRMX1617
70	50	500	230	PRMX1618
	20	220	230	PRMX1619
	25	300	230	PRMX1620
	30	350	230	PRMX1621
	35	400	230	PRMX1622
	38	450	230	PRMX1623
75	50	550	230	PRMX1624
	20	240	230	PRMX1625
	25	300	230	PRMX1626
	30	400	230	PRMX1627
	35	420	230	PRMX1628
80	38	450	230	PRMX1629
	50	600	230	PRMX1630
	20	250	230	PRMX1631
	25	320	230	PRMX1632
	30	400	230	PRMX1633
	35	450	230	PRMX1634
85	38	500	230	PRMX1635
	50	650	230	PRMX1636
	20	270	230	PRMX1637
	25	350	230	PRMX1638
	30	400	230	PRMX1639
90	35	500	230	PRMX1640
	38	500	230	PRMX1641
	50	650	230	PRMX1642
	20	300	230	PRMX1643
	25	350	230	PRMX1644
	30	450	230	PRMX1645
95	35	500	230	PRMX1646
	38	550	230	PRMX1647
	50	750	230	PRMX1648
	20	300	230	PRMX1649
	25	400	230	PRMX1650
	30	450	230	PRMX1651
100	35	550	230	PRMX1652
	38	600	230	PRMX1653
	50	750	230	PRMX1654
	55	650	230	PRMX1655
	20	320	230	PRMX1656
	25	400	230	PRMX1657
100	30	500	230	PRMX1658
	35	550	230	PRMX1659
	38	600	230	PRMX1660
	50	750	230	PRMX1661

PIROSLIM extra-slim Nozzle Heaters

These heaters are not sealed against liquids. Please choose Piromax (see above) for sealed construction. Standard models are in stainless steel, with 1m-long metal-braided cable, inclusive of ground conductor.



Diam. (mm)	Length (mm)	WATT	VOLT	Product No.
25	30	115	230	PRSL000085
30	25	125	230	PRSL000083
	30	155	230	PRSL000082
	35	180	230	PRSL000001
	40	205	230	PRSL000002
	45	205	230	PRSL000003
35	25	150	230	PRSL000004
	30	180	230	PRSL000006
	35	210	230	PRSL000007
	40	240	230	PRSL000008
40	25	170	230	PRSL000010
	30	205	230	PRSL000110
	35	240	230	PRSL000131
	40	275	230	PRSL000084
	45	310	230	PRSL000151
42	25	180	230	PRSL000166
	30	215	230	PRSL000137
	35	250	230	PRSL000167
	40	290	230	PRSL000168
45	25	190	230	PRSL000012
	30	230	230	PRSL000013
	35	270	230	PRSL000015
	40	310	230	PRSL000016
	45	345	230	PRSL000017
50	50	385	230	PRSL000019
	20	170	230	PRSL000020
	25	215	230	PRSL000021
	30	255	230	PRSL000023
	35	300	230	PRSL000025
	40	345	230	PRSL000169
55	50	430	230	PRSL000028
	20	185	230	PRSL000029
	25	235	230	PRSL000031
	30	280	230	PRSL000032
	35	330	230	PRSL000033
	40	375	230	PRSL000035
	50	470	230	PRSL000036
60	60	565	230	PRSL000037
	20	205	230	PRSL000038
	25	255	230	PRSL000039
	30	310	230	PRSL000040
	35	360	230	PRSL000041
	40	410	230	PRSL000043
	50	515	230	PRSL000044
65	60	620	230	PRSL000046
	20	220	230	PRSL000047
	25	280	230	PRSL000048
	30	335	230	PRSL000049
	35	390	230	PRSL000050
	40	445	230	PRSL000051
	50	560	230	PRSL000052
60	670	230	PRSL000053	

Diam. (mm)	Length (mm)	WATT	VOLT	Product No.
70	20	240	230	PRSL000170
	25	300	230	PRSL000171
	30	360	230	PRSL000054
	35	420	230	PRSL000056
	40	480	230	PRSL000057
	50	600	230	PRSL000081
	60	725	230	PRSL000058
75	20	255	230	PRSL000059
	25	320	230	PRSL000060
	30	385	230	PRSL000061
	35	450	230	PRSL000158
	40	515	230	PRSL000063
80	50	645	230	PRSL000064
	60	775	230	PRSL000065
	20	275	230	PRSL000066
	25	345	230	PRSL000067
	30	410	230	PRSL000068
	35	480	230	PRSL000069
85	40	550	230	PRSL000105
	50	690	230	PRSL000071
	60	825	230	PRSL000072
	20	290	230	PRSL000172
	25	365	230	PRSL000173
	30	440	230	PRSL000174
90	35	510	230	PRSL000175
	40	585	230	PRSL000138
	50	730	230	PRSL000176
	60	880	230	PRSL000177
	20	310	230	PRSL000178
	25	385	230	PRSL000179
95	30	465	230	PRSL000180
	35	540	230	PRSL000181
	40	620	230	PRSL000182
	50	775	230	PRSL000183
	60	930	230	PRSL000184
	20	325	230	PRSL000185
100	25	410	230	PRSL000186
	30	490	230	PRSL000187
	35	570	230	PRSL000188
	40	650	230	PRSL000189
	50	820	230	PRSL000190
	60	980	230	PRSL000191
100	20	345	230	PRSL000192
	25	430	230	PRSL000193
	30	515	230	PRSL000194
	35	600	230	PRSL000195
	40	690	230	PRSL000196
	50	860	230	PRSL000197
60	1030	230	PRSL000198	

MgO-insulated Nozzle Heaters

Their compacted, high-purity MgO insulation provides high electrical insulation and thermal conduction.

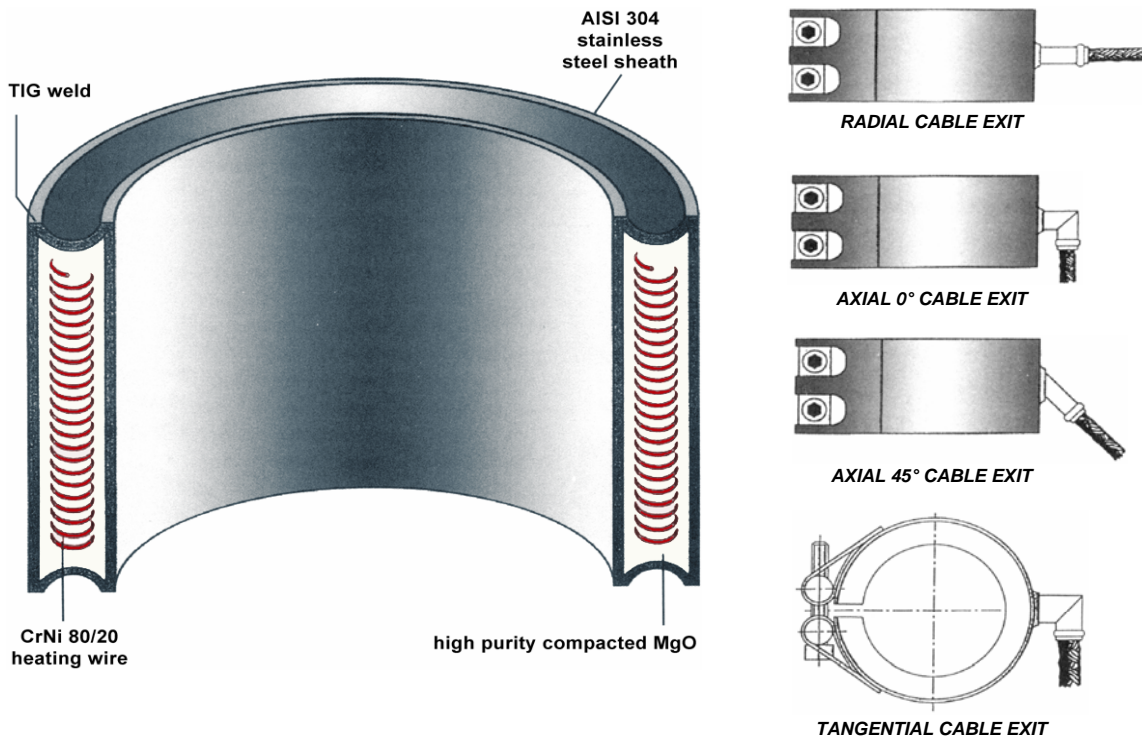
The AISI 304 stainless steel sheath makes these heaters corrosion-resistant and fully sealed against water, oil, melted plastics.

The smooth inner surface and perfect roundness provide high, fast and uniform heat transfer to the whole nozzle.

Construction features allow high power densities (up to 20 W/cm²) and high working temperatures (up to 500 °C constant, or 700 °C for brief moments).

Extremely small connection tube connecting to a high-temperature, flexible, fiberglass-insulated, pure-nickel, 500-mm long cable, protected by a steel braid.

As an option, these heaters can be fitted with J or K thermocouple.



Diam. (mm)	Length (mm)	WATT	VOLT	Product No.
30	30	220	230	PRMG000001
30	30	300	230	PRMG000002
30	40	290	230	PRMG000003
30	40	400	230	PRMG000004
30	50	360	230	PRMG000005
30	60	430	230	PRMG000006
35	30	260	230	PRMG000007
35	40	350	230	PRMG000008
35	50	440	230	PRMG000009
35	60	530	230	PRMG000010
40	30	300	230	PRMG000011
40	40	380	230	PRMG000012
40	50	480	230	PRMG000013
40	60	575	230	PRMG000014
45	30	350	230	PRMG000015
45	40	480	230	PRMG000016
45	50	600	230	PRMG000017
45	60	700	230	PRMG000018

Diam. (mm)	Length (mm)	WATT	VOLT	Product No.
50	30	375	230	PRMG000019
50	40	500	230	PRMG000020
50	50	625	230	PRMG000021
50	60	750	230	PRMG000022
60	30	450	230	PRMG000023
60	40	600	230	PRMG000024
60	50	750	230	PRMG000025
60	60	900	230	PRMG000026
70	30	525	230	PRMG000027
70	40	700	230	PRMG000028
70	50	800	230	PRMG000029
70	60	1050	230	PRMG000030
80	30	600	230	PRMG000031
80	40	800	230	PRMG000032
80	50	850	230	PRMG000033
80	60	900	230	PRMG000034



As a dynamic and innovative Group, we pursue a policy of continuous product development and improvement. Our companies, therefore, reserve the right to amend the specifications without giving prior notice. Descriptions and data in this brochure are correct at the time of the issue but are subject to alteration. Details of any change are available on request.

JEKA GmbH

Kalterer Straße 27
D-64646 Heppenheim
Deutschland / Germany
T. +49-(0)6252-95920-0
F. +49-(0)6252-95920-95
info@jeka-heppenheim.de
www.jeka-heppenheim.de

ROTFIL srl

Via Praglia 15
I-10044 Pianezza TO
Italy
T. +39-011-9683-111
F. +39-011-9683-225
info@rotfil.com
www.rotfil.com

