

SKORPION™ Process Air Heater

Description

The new SKORPION Process Air Heater from OSRAM SYLVANIA represents the perfect combination of power, size, reliability, and control in Air Heating technology.

Whether your process involves drying, curing, melting, or sealing, the SKORPION gives you full closed-loop PID temperature regulation to 1400°F (760°C) with ±2° accuracy.

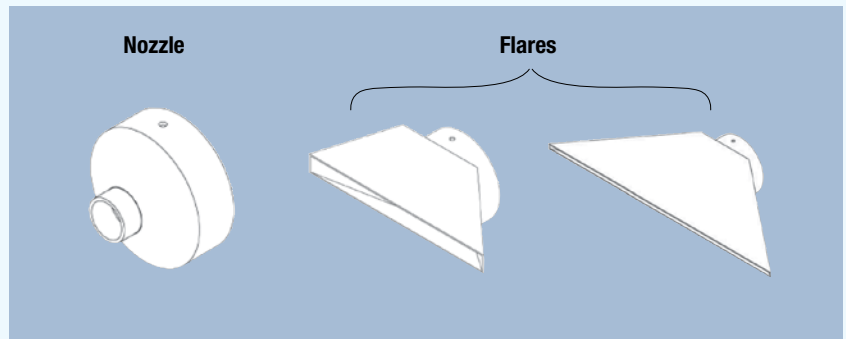
In addition, the SKORPION's all-metal air source is powerful and robust, ensuring reliable operation in dusty environments, with an adjustable air damper for flow control.

The SKORPION package is complete with OSRAM SYLVANIA's long-life Serpentine heater elements, and a robust over-temperature safety system.



Specifications

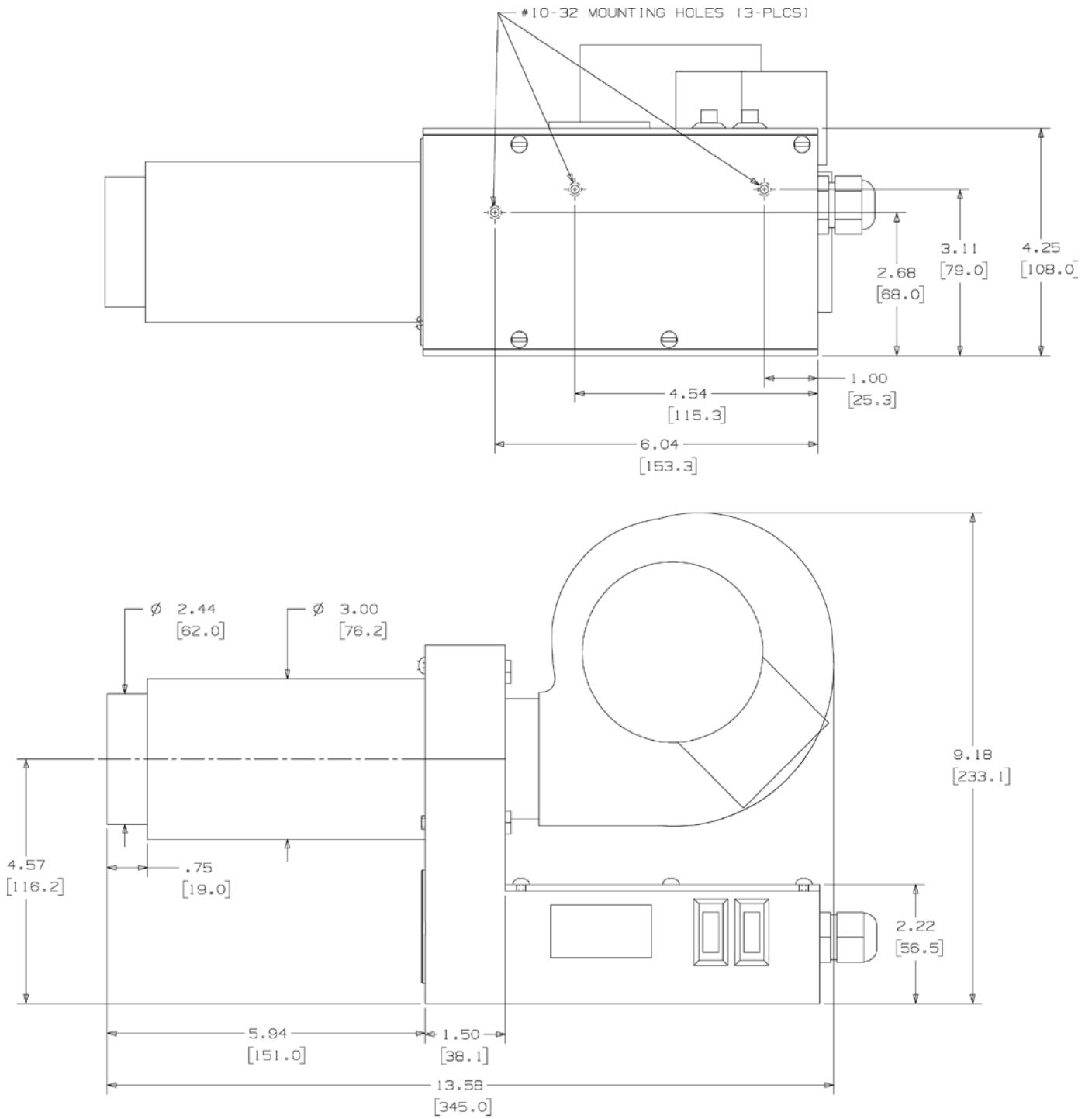
- 120V unit – Max. Air temp. 1200°F (650°C).
- 240V unit – Max. Air temp. 1400°F (760°C).
- Temperature accuracy ±2°.
- Maximum flow rate 10 SCFM.
- Temp. Control 1/32 DIN.
- Power Control 25A Solid-State Relay.
- RoHS Compliant.
- All components CE compliant.



Air Heater Model		Replacement Parts				
		Heating Element	Temp. Control	Power Control	Blower	Nozzle Tube
F075615	SKORPION Air Heater 1.5kW 120V 1PH 12.5A	F205526	F205499	F205486	F205513	F205494
F075616	SKORPION Air Heater 3.0kW 240V 1PH 12.5A	F205502	F205499	F205486	F205512	F205494

Accessories (all models)		
F075744	High-Flow Nozzle	21mm (1") diameter opening - slip on mount with set screw.
F075745	Standard Flare	50mm x 12mm (6" x 0.5") opening - slip on mount with set screw.
F075746	Wide Flare	300mm x 4mm (12" x 0.16") opening - slip on mount with set screw.

Installation



OSRAM SYLVANIA
 131 Portsmouth Avenue
 Exeter, NH 03833 USA
 Tel: 603-772-4331
 Fax: 603-772-1072
 www.sylvaniaheaters.com